

# Global Medical Device Nomenclature (GMDN)

---

GMDN and its use with Unique Device  
Identification (UDI)

G•M•D•N

# What is the GMDN?

---

## Global Medical Device Nomenclature (GMDN)

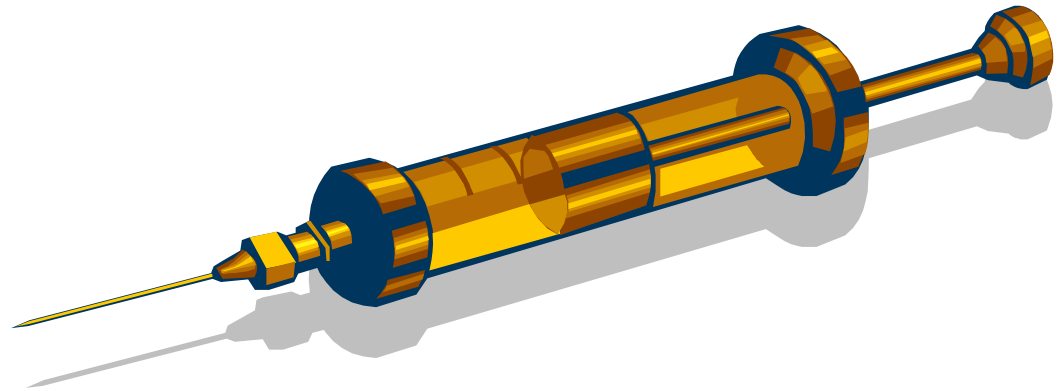
- ❑ New international system for naming Medical Devices
- ❑ Uses the ISO 15225 structure
- ❑ Already adopted by many Medical Device Regulators worldwide
- ❑ Now translated to 28 languages
- ❑ Only available at [www.gmdnagency.org](http://www.gmdnagency.org)
- ❑ Improving the value of UDI

# GMDN Term Structure

---

Each GMDN Term consists of 3 parts:

- **Term Name:** Insulin syringe, fixed-needle
- **Definition:** A device consisting of a small, calibrated, hollow barrel (cylinder) and a moveable plunger with a permanently-attached needle (usually capped for user protection) that is used to administer an injection of insulin to a patient subcutaneously...
- **Code:** 38501


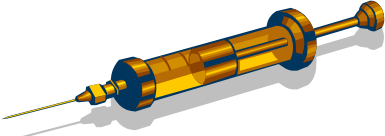


# UDI and GMDN Relationship

Device Type = UDI

Generic Device Group = GMDN Term (38501)

**Hudson Co.**



1234567890

**Hudson Co.**



1234567890

**Brooks Ltd**



0987654321

**Woods Inc.**



3234567890

**G•M•D•N**

# Uses of GMDN with UDI

---

- Post Market surveillance
  - Identify systematic (generic) product failure
  - Support product recall
- Better Regulation
  - Speed up Pre-market approval
  - Detailed information on imports and exports
  - Quickly identify trends of use of equipment
- Asset Management
  - Locate equipment that does the same function
  - Improve utilization of equipment
- Inventory Control
  - Identify items with poor label descriptions
  - Translate labels to their generic meaning